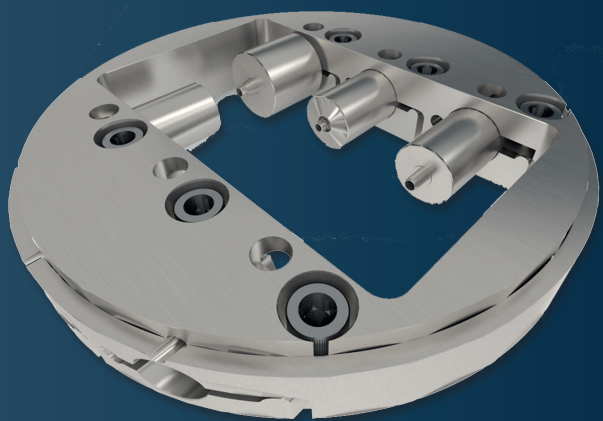




MPS

MULTI PLATFORM SYSTEMS

# PreFace Abutments and PreFace Abutment Holders



The Medentika® PreFace line –  
developed with intelligence  
and produced conscientiously.

## MANUFACTURER

Datron D5

Dental Concept DC1/DC5

imes-icore

MB Maschinen Cobra Mill

Primacon PFM 24 mediMill

R+K

Röders RXD

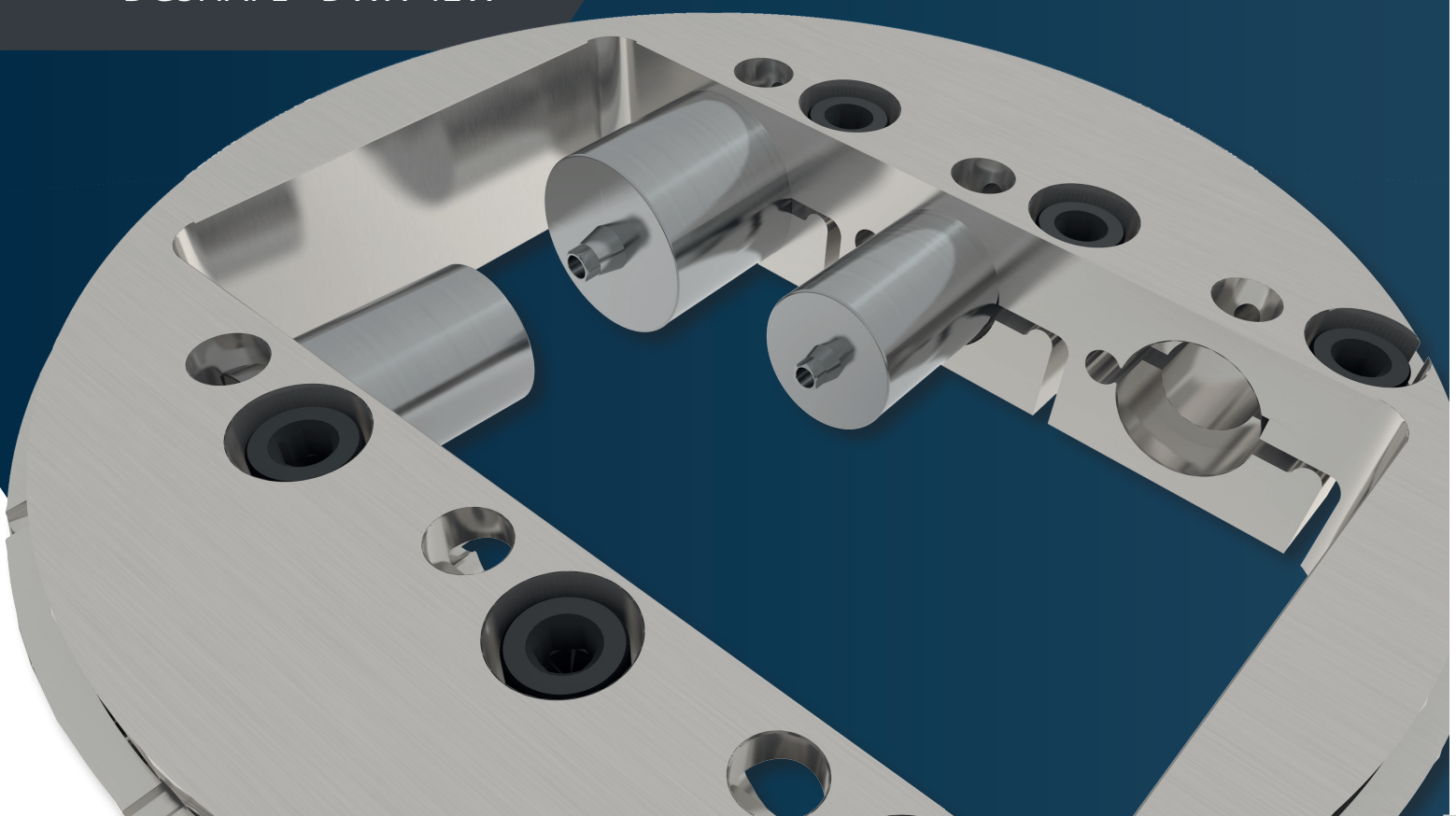
Sirona inLab MC X5

VHF

Wissner Gamma 202

Yenadent

DGSHAPE - DWX-42W



**PreFace abutments are available for:**

<b>Manufacturer</b>	<b>Implantat system</b>
BEGO Implant Systems	Semados <sup>®*</sup> SC/SCX/RS/RSX/RI
	Semados <sup>®*</sup> S/RI
BioHorizons	Tapered Internal
	Tapered Internal Plus
	Tapered Tissue Level
BIOMET 3i	Certain <sup>®*</sup>
	External Hex
Bredent Medical	SKY <sup>®*</sup>
Camlog	Camlog <sup>®*</sup>
	Conelog <sup>®*</sup>
Dentium	SuperLine
	Implantium
	Implantium II
DENTSPLY SIRONA	ASTRA TECH OsseoSpeed <sup>®*</sup> TX
	XiVE <sup>®*</sup> S
HiOssen Implant <sup>®*</sup>	ET-System
Medentika <sup>®</sup>	Procone
Medentis Medical	ICX
MIS	SEVEN Internal Hex
Nobel Biocare	Brånemark System <sup>®*</sup>
	NobelActive <sup>®*</sup>
	NobelReplace <sup>®*</sup> Conical
	NobelReplace <sup>®*</sup> Tapered
OSSTEM Implants	TS System
Straumann	Bone Level
	Tissue Level
T-Plus Implant Tech	A+ Implant
	ST Implant
Zimmer Dental	Tapered Screw-Vent <sup>®*</sup>

\*is a registered trademark of an independent third party

# This is how your new scope for more corporate potential will appear:

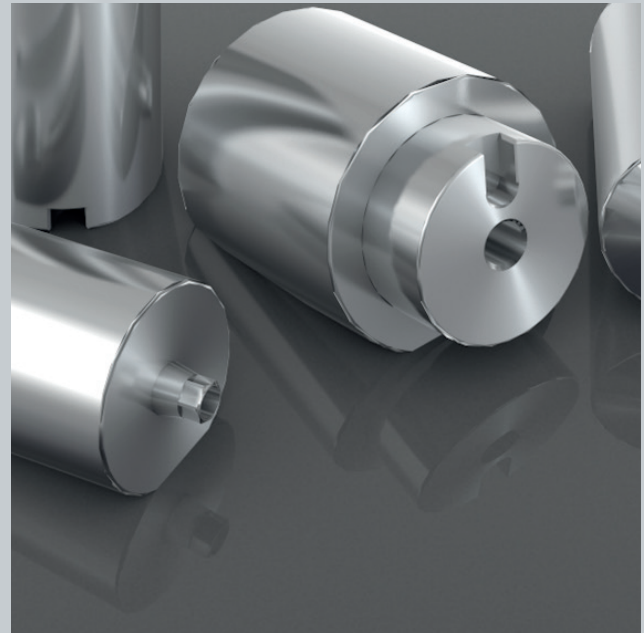
You can launch your own production process with PreFace Abutments and PreFace Abutment Holders. At the same time you continue to be flexible in terms of the individual design of your abutment solutions.

PreFace Library available for:

3shape

exocad

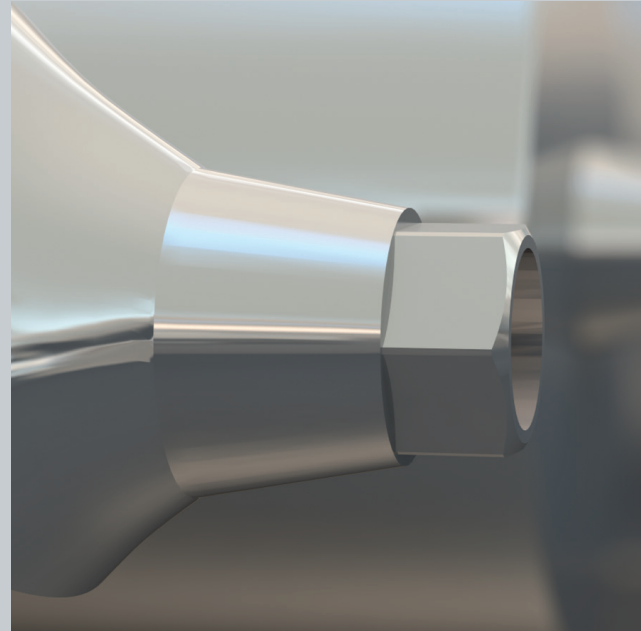
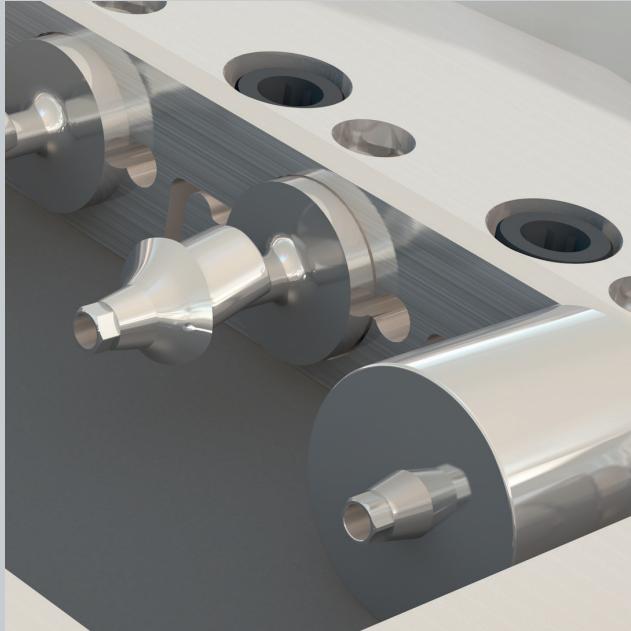
dental wings  
A Straumann Group Brand



You are on the safe side with PreFace Abutments. Whilst the diameters of 11.5 and 16 millimetres ensure the necessary variability, a uniform length guarantees the precise definition of the zero point. Incidentally we always supply your PreFace Abutments complete with a abutment screw! To provide the widest possible variability of materials, the PreFace Abutments are available in Titanium Grade 5 CF and CoCr.

## The advantages of the PreFace Abutments at a glance:

- Short machining times in the production process - through two blank diameters
- Maximum freedom of design - through the optimised selection of the milling blanks
- Maximum protection for the precisely designed implant interface - through screwing the abutment tight merely on the front side
- Highest levels of precision in the interface - through preassembled, standardised manufacturing processes
- More freedom during the design of the emergence profile - through the special configuration of the blanks

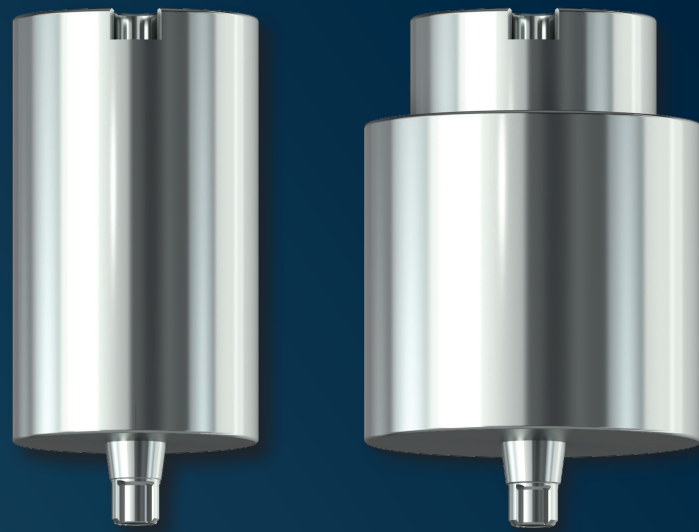


You achieve excellent added value with PreFace Abutment Holders. The ideal selection of blanks, the minimum number of components and the advantages of automated production lead to extremely efficient manufacturing processes. Despite the immense flexibility in the design of your production you will receive a well-rounded complete solution from one source!

## Your advantages of the PreFace Abutment Holder at a glance.

- Much more precise manufacturing than is the case with conventional holders - due to the innovative, single-piece design
- Short production times - through the simultaneous machining of six blanks in one working process
- Particularly time saving way of working - through the screwing tight of the abutment with just one screw in the holder
- Maximum protection for the precisely designed implant interface - through screwing the abutment tight merely on the front side
- Very transparent production process that is not susceptible to errors - through the minimum number of components
- Extremely cheap investment - through the simple design of the PreFace Abutment holder and the avoidance of expensive wearing parts





The Medentika® PreFace line –  
developed with intelligence  
and produced conscientiously.



## PreFace abutment

- Titanium Grade 5 CF
- incl. abutment screw
- Recommended torque: 25 Ncm



■ NP                      ■ RP                      ■ RP

<b>Implant connection</b>	NP	RP	RP
<b>Diameter</b>	11,5 mm	11,5 mm	16,0 mm
<b>Article No.</b>	B 9000-R	B 9001-R	B 9000-16R
<b>Abutment screw</b>	B 60	B 60	B 60
<b>Laboratory screw</b>	B 60 L	B 60 L	B 60 L

## PreFace abutment

- CrCo alloy / CTE 14.1
- incl. abutment screw
- Recommended torque: 25 Ncm



■ RP

<b>Implant connection</b>	RP
<b>Diameter</b>	16,0 mm
<b>Article No.</b>	B 9800-16R
<b>Abutment screw</b>	B 60
<b>Laboratory screw</b>	B 60 L



## PreFace abutment

- Titanium Grade 5 CF
- incl. abutment screw
- Recommended torque: 30 Ncm



<b>Implant connection</b>	D 3,25-5,5	D 3,25-5,5
<b>Diameter</b>	11,5 mm	16,0 mm
<b>Article No.</b>	BS 9000-R	BS 9000-16R
<b>Abutment screw</b>	BS 60	BS 60
<b>Laboratory screw</b>	BS 60 L	BS 60 L

Can also be used for "Platform Switch Design" implants.

## PreFace abutment

- CrCo alloy / CTE 14.1
- incl. abutment screw
- Recommended torque: 30 Ncm



<b>Implant connection</b>	D 3,25-5,5
<b>Diameter</b>	16,0 mm
<b>Article No.</b>	BS 9800-16R
<b>Abutment screw</b>	BS 60
<b>Laboratory screw</b>	BS 60 L

Can also be used for "Platform Switch Design" implants.

## PreFace abutment

- Titanium Grade 5 CF
- incl. abutment screw
- Recommended torque: 20 Ncm



<b>Implant connection</b>	D 3,3	D 3,3	D 3,8	D 3,8	D 4,3
<b>Diameter</b>	11,5 mm	16,0 mm	11,5 mm	16,0 mm	11,5 mm
<b>Article No.</b>	C 9000-R	C 9000-16R	C 9010-R	C 9010-16R	C 9020-R
<b>Abutment screw</b>	C 61	C 61	C 61	C 61	C 61
<b>Laboratory screw</b>	C 61 L	C 61 L	C 61 L	C 61 L	C 61 L

## PreFace abutment

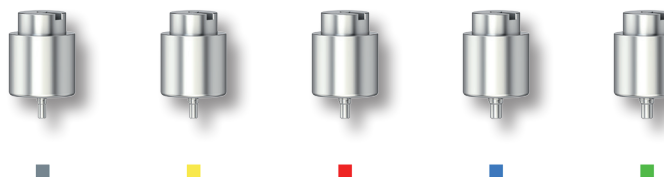
- Titanium Grade 5 CF
- incl. abutment screw
- Recommended torque: 20 Ncm



<b>Implant connection</b>	D 4,3	D 5,0	D 5,0	D 6,0	D 6,0
<b>Diameter</b>	16,0 mm	11,5 mm	16,0 mm	11,5 mm	16,0 mm
<b>Article No.</b>	C 9020-16R	C 9030-R	C 9030-16R	C 9040-R	C 9040-16R
<b>Abutment screw</b>	C 61	C 62	C 62	C 62	C 62
<b>Laboratory screw</b>	C 61 L	C 62 L	C 62 L	C 62 L	C 62 L

## PreFace abutment

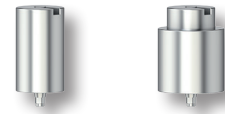
- CrCo alloy / CTE 14.1
- incl. abutment screw
- Recommended torque: 20 Ncm



<b>Implant connection</b>	D 3,3	D 3,8	D 4,3	D 5,0	D 6,0
<b>Diameter</b>	16,0 mm	16,0 mm	16,0 mm	16,0 mm	16,0 mm
<b>Article No.</b>	C 9800-16R	C 9810-16R	C 9820-16R	C 9830-16R	C 9840-16R
<b>Abutment screw</b>	C 61	C 61	C 61	C 62	C 62
<b>Laboratory screw</b>	C 61 L	C 61 L	C 61 L	C 62 L	C 62 L

## PreFace abutment

- Titanium Grade 5 CF
- incl. abutment screw
- Recommended torque: 30 Ncm



<b>Implant connection</b>	D 3,75-4,8	D 3,75-4,8
<b>Diameter</b>	11,5 mm	16,0 mm
<b>Article No.</b>	CX 9000-R	CX 9000-16R
<b>Abutment screw</b>	CX 60	CX 60
<b>Laboratory screw</b>	CX 60 L	CX 60 L

## PreFace abutment

- CrCo alloy / CTE 14.1
- incl. abutment screw
- Recommended torque: 30 Ncm



<b>Implant connection</b>	D 3,75-4,8
<b>Diameter</b>	16,0 mm
<b>Article No.</b>	CX 9800-16R
<b>Abutment screw</b>	CX 60
<b>Laboratory screw</b>	CX 60 L

## PreFace abutment

- Titanium Grade 5 CF
- incl. abutment screw
- Recommended torque: 20 Ncm



<b>Implant connection</b>	D 3,3	D 3,8/4,3	D 3,8/4,3
<b>Diameter</b>	11,5 mm	11,5 mm	16,0 mm
<b>Article No.</b>	D 9000-R	D 9010-R	D 9010-16R
<b>Abutment screw</b>	D 60	D 60	D 60
<b>Laboratory screw</b>	D 60 L	D 60 L	D 60 L

## PreFace abutment

- CrCo alloy / CTE 14.1
- incl. abutment screw
- Recommended torque: 20 Ncm



<b>Implant connection</b>	D 3,3	D 3,8/4,3
<b>Diameter</b>	11,5 mm	16,0 mm
<b>Article No.</b>	D 9800-R	D 9810-16R
<b>Abutment screw</b>	D 60	D 60
<b>Laboratory screw</b>	D 60 L	D 60 L

## PreFace abutment

- Titanium Grade 5 CF
- incl. abutment screw
- Recommended torque: 25 Ncm



<b>Implant connection</b>	D 3,6-7,0
<b>Diameter</b>	11,5 mm
<b>Article No.</b>	DT 9000-R
<b>Abutment screw</b>	DT 60
<b>Laboratory screw</b>	DT 60 L

## PreFace abutment

- CrCo alloy / CTE 14.1
- incl. abutment screw
- Recommended torque: 25 Ncm



<b>Implant connection</b>	D 3,6-7,0
<b>Diameter</b>	11,5 mm
<b>Article No.</b>	DT 9800-R
<b>Abutment screw</b>	DT 60
<b>Laboratory screw</b>	DT 60 L

## PreFace abutment

- Titanium Grade 5 CF
- incl. abutment screw
- Recommended torque: 35 Ncm



<b>Implant connection</b>	NP 3,5	RP 4,3	RP 4,3	WP 5,0	WP 5,0
<b>Diameter</b>	11,5 mm	11,5 mm	16,0 mm	11,5 mm	16,0 mm
<b>Article No.</b>	E 9000-R	E 9010-R	E 9010-16R	E 9020-R	E 9020-16R
<b>Abutment screw</b>	E 60	E 61	E 61	E 61	E 61
<b>Laboratory screw</b>	E 60 L	E 61 L	E 61 L	E 61 L	E 61 L

## PreFace abutment

- Titanium Grade 5 CF
- incl. abutment screw
- Recommended torque: 35 Ncm



<b>Implant connection</b>	D 6,0
<b>Diameter</b>	16,0 mm
<b>Article No.</b>	E 9030-16R
<b>Abutment screw</b>	E 61
<b>Laboratory screw</b>	E 61 L

## PreFace abutment

- CrCo alloy / CTE 14.1
- incl. abutment screw
- Recommended torque: 35 Ncm



<b>Implant connection</b>	NP 3,5	RP 4,3	WP 5,0
<b>Diameter</b>	11,5 mm	16,0 mm	16,0 mm
<b>Article No.</b>	E 9800-R	E 9810-16R	E 9820-16R
<b>Abutment screw</b>	E 60	E 61	E 61
<b>Laboratory screw</b>	E 60 L	E 61 L	E 61 L

## PreFace abutment

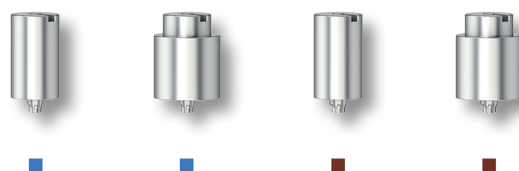
- Titanium Grade 5 CF
- incl. abutment screw
- Recommended torque: 25 Ncm



<b>Implant connection</b>	D 3,0	D 3,6	D 3,6	D 4,2	D 4,2
<b>Diameter</b>	11,5 mm	11,5 mm	16,0 mm	11,5 mm	16,0 mm
<b>Article No.</b>	EV 9000-R	EV 9010-R	EV 9010-16R	EV 9020-R	EV 9020-16R
<b>Abutment screw</b>	EV 60	EV 61	EV 61	EV 62	EV 62
<b>Laboratory screw</b>	EV 60 L	EV 61 L	EV 61 L	EV 62 L	EV 62 L

## PreFace abutment

- Titanium Grade 5 CF
- incl. abutment screw
- Recommended torque: 25 Ncm



<b>Implant connection</b>	D 4,8	D 4,8	D 5,4	D 5,4
<b>Diameter</b>	11,5 mm	16,0 mm	11,5 mm	16,0 mm
<b>Article No.</b>	EV 9030-R	EV 9030-16R	EV 9040-R	EV 9040-16R
<b>Abutment screw</b>	EV 63	EV 63	EV 63	EV 63
<b>Laboratory screw</b>	EV 63 L	EV 63 L	EV 63 L	EV 63 L

## PreFace abutment

- CrCo alloy / CTE 14.1
- incl. abutment screw
- Recommended torque: 25 Ncm



<b>Implant connection</b>	D 3,0	D 3,6	D 4,2	D 4,8	D 5,4
<b>Diameter</b>	11,5 mm	16,0 mm	16,0 mm	16,0 mm	16,0 mm
<b>Article No.</b>	EV 9800-R	EV 9810-16R	EV 9820-16R	EV 9830-16R	EV 9840-16R
<b>Abutment screw</b>	EV 60	EV 61	EV 62	EV 63	EV 63
<b>Laboratory screw</b>	EV 60 L	EV 61 L	EV 62 L	EV 63 L	EV 63 L

## PreFace abutment

- Titanium Grade 5 CF
- incl. abutment screw
- Recommended torque:  
15 Ncm: D 3,0  
35 Ncm: NP 3,5  
35 Ncm: RP 4,3/5,0



<b>Implant connection</b>	D 3,0	NP 3,5	NP 3,5	RP 4,3/5,0	RP 4,3/5,0
<b>Diameter</b>	11,5 mm	11,5 mm	16,0 mm	11,5 mm	16,0 mm
<b>Article No.</b>	F 9020-R	F 9000-R	F 9000-16R	F 9010-R	F 9010-16R
<b>Abutment screw</b>	F 66	F 60	F 60	F 61	F 61
<b>Laboratory screw</b>	F 66 L	F 60 L	F 60 L	F 61 L	F 61 L

## PreFace abutment

- CrCo alloy / CTE 14.1
- incl. abutment screw
- Recommended torque:  
15 Ncm: D 3,0  
35 Ncm: NP 3,5  
35 Ncm: RP 4,3/5,0

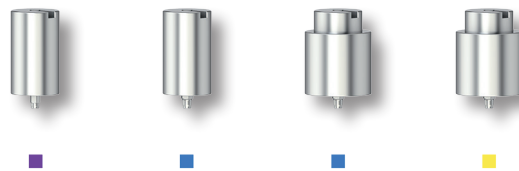


<b>Implant connection</b>	D 3,0	NP 3,5	RP 4,3/5,0
<b>Diameter</b>	11,5 mm	16,0 mm	16,0 mm
<b>Article No.</b>	F 9820-R	F 9800-16R	F 9810-16R
<b>Abutment screw</b>	F 66	F 60	F 61
<b>Laboratory screw</b>	F 66 L	F 60 L	F 61 L



## PreFace abutment

- Titanium Grade 5 CF
- incl. abutment screw
- Recommended torque: 20 Ncm



<b>Implant connection</b>	D 3,4	D 4,1	D 4,1	D 5,0
<b>Diameter</b>	11,5 mm	11,5 mm	16,0 mm	16,0 mm
<b>Article No.</b>	H 9000-R	H 9010-R	H 9010-16R	H 9020-16R
<b>Abutment screw</b>	H 60	H 60	H 60	H 60
<b>Laboratory screw</b>	H 60 L	H 60 L	H 60 L	H 60 L

## PreFace abutment

- CrCo alloy / CTE 14.1
- incl. abutment screw
- Recommended torque: 20 Ncm



<b>Implant connection</b>	D 3,4	D 4,1	D 5,0
<b>Diameter</b>	11,5 mm	16,0 mm	16,0 mm
<b>Article No.</b>	H 9800-R	H 9810-16R	H 9820-16R
<b>Abutment screw</b>	H 60	H 60	H 60
<b>Laboratory screw</b>	H 60 L	H 60 L	H 60 L

## PreFace abutment

- Titanium Grade 5 CF
- incl. abutment screw
- Recommended torque: 35 Ncm



	D 3,4	D 4,1	D 5,0
<b>Implant connection</b>	D 3,4	D 4,1	D 5,0
<b>Diameter</b>	11,5 mm	11,5 mm	16,0 mm
<b>Article No.</b>	I 9000-R	I 9010-R	I 9020-16R
<b>Abutment screw</b>	I 61	I 61	I 61
<b>Laboratory screw</b>	I 61 L	I 61 L	I 61 L

## PreFace abutment

- CrCo alloy / CTE 14.1
- incl. abutment screw
- Recommended torque: 35 Ncm



	D 3,4	D 4,1	D 5,0
<b>Implant connection</b>	D 3,4	D 4,1	D 5,0
<b>Diameter</b>	11,5 mm	11,5 mm	16,0 mm
<b>Article No.</b>	I 9800-R	I 9810-R	I 9820-16R
<b>Abutment screw</b>	I 61	I 61	I 61
<b>Laboratory screw</b>	I 61 L	I 61 L	I 61 L

## PreFace abutment

- Titanium Grade 5 CF
- incl. abutment screw
- Recommended torque: 35 Ncm



<b>Implant connection</b>	NP 3,5	RP 4,1	WP 5,1
<b>Diameter</b>	11,5 mm	11,5 mm	16,0 mm
<b>Article No.</b>	K 9000-R	K 9010-R	K 9020-16R
<b>Abutment screw</b>	K 60	K 61	K 62
<b>Laboratory screw</b>	K 60 L	K 61 L	K 62 L

## PreFace abutment

- CrCo alloy / CTE 14.1
- incl. abutment screw
- Recommended torque: 35 Ncm



<b>Implant connection</b>	NP 3,5	RP 4,1	WP 5,1
<b>Diameter</b>	11,5 mm	11,5 mm	16,0 mm
<b>Article No.</b>	K 9800-R	K 9810-R	K 9820-16R
<b>Abutment screw</b>	K 60	K 61	K 62
<b>Laboratory screw</b>	K 60 L	K 61 L	K 62 L

## PreFace abutment

- Titanium Grade 5 CF
- incl. abutment screw
- Recommended torque: 35 Ncm



<b>Implant connection</b>	NC 3,3	NC 3,3	RC 4,1/4,8	RC 4,1/4,8
<b>Diameter</b>	11,5 mm	16,0 mm	11,5 mm	16,0 mm
<b>Article No.</b>	L 9000-R	L 9000-16R	L 9010-R	L 9010-16R
<b>Abutment screw</b>	L 60	L 60	L 60	L 60
<b>Laboratory screw</b>	L 60 L	L 60 L	L 60 L	L 60 L

## PreFace abutment

- CrCo alloy / CTE 14.1
- incl. abutment screw
- Recommended torque: 35 Ncm



<b>Implant connection</b>	NC 3,3	RC 4,1/4,8
<b>Diameter</b>	16,0 mm	16,0 mm
<b>Article No.</b>	L 9800-16R	L 9810-16R
<b>Abutment screw</b>	L 60	L 60
<b>Laboratory screw</b>	L 60 L	L 60 L

## PreFace abutment

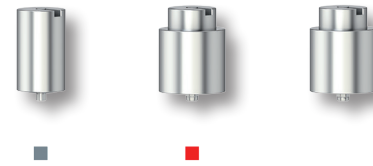
- Titanium Grade 5 CF
- incl. abutment screw
- Recommended torque: 35 Ncm



<b>Implant connection</b>	NNC 3,5	RN 4,8	RN 4,8	WN 6,5	WN 6,5
<b>Diameter</b>	11,5 mm	11,5 mm	16,0 mm	11,5 mm	16,0 mm
<b>Article No.</b>	N 9030-R	N 9010-R	N 9010-16R	N 9020-R	N 9020-16R
<b>Abutment screw</b>	N 65	N 62	N 62	N 62	N 62
<b>Laboratory screw</b>	N 65 L	N 62 L	N 62 L	N 62 L	N 62 L

## PreFace abutment

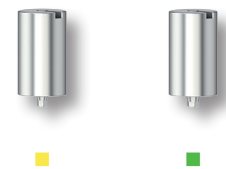
- CrCo alloy / CTE 14.1
- incl. abutment screw
- Recommended torque: 35 Ncm



<b>Implant connection</b>	NNC 3,5	RN 4,8	WN 6,5
<b>Diameter</b>	11,5 mm	16,0 mm	16,0 mm
<b>Article No.</b>	N 9830-R	N 9810-16R	N 9820-16R
<b>Abutment screw</b>	N 65	N 62	N 62
<b>Laboratory screw</b>	N 65 L	N 62 L	N 62 L

## PreFace abutment

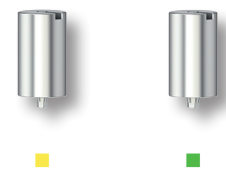
- Titanium Grade 5 CF
- incl. abutment screw
- Recommended torque:  
20 Ncm: M  
30 Ncm: R



Implant connection	M	R
Diameter	11,5 mm	11,5 mm
Article No.	OT 9000-R	OT 9010-R
Abutment screw	OT 60	OT 61
Laboratory screw	OT 60 L	OT 61 L

## PreFace abutment

- CrCo alloy / CTE 14.1
- incl. abutment screw
- Recommended torque:  
20 Ncm: M  
30 Ncm: R



Implant connection	M	R
Diameter	11,5 mm	11,5 mm
Article No.	OT 9800-R	OT 9810-R
Abutment screw	OT 60	OT 61
Laboratory screw	OT 60 L	OT 61 L

## PreFace abutment

- Titanium Grade 5 CF
- incl. abutment screw
- Recommended torque: 30 Ncm



<b>Implant connection</b>	D 3,5	D 3,5	D 4,5	D 4,5	D 5,7
<b>Diameter</b>	11,5 mm	16,0 mm	11,5 mm	16,0 mm	16,0 mm
<b>Article No.</b>	R 9000-R	R 9000-16R	R 9010-R	R 9010-16R	R 9020-16R
<b>Abutment screw</b>	R 60	R 60	R 60	R 60	R 60
<b>Laboratory screw</b>	R 60 L	R 60 L	R 60 L	R 60 L	R 60 L

## PreFace abutment

- CrCo alloy / CTE 14.1
- incl. abutment screw
- Recommended torque: 30 Ncm



<b>Implant connection</b>	D 3,5	D 4,5	D 5,7
<b>Diameter</b>	16,0 mm	16,0 mm	16,0 mm
<b>Article No.</b>	R 9800-16R	R 9810-16R	R 9820-16R
<b>Abutment screw</b>	R 60	R 60	R 60
<b>Laboratory screw</b>	R 60 L	R 60 L	R 60 L

## PreFace abutment

- Titanium Grade 5 CF
- incl. abutment screw
- Recommended torque:  
15 Ncm: D 3,0  
20 Ncm: D 3,5/4,0  
25 Ncm: D 4,5/5,0



<b>Implant connection</b>	D 3,0	D 3,5/4,0	D 3,5/4,0	D 4,5/5,0	D 4,5/5,0
<b>Diameter</b>	11,5 mm	11,5 mm	16,0 mm	11,5 mm	16,0 mm
<b>Article No.</b>	S 9030-R	S 9000-R	S 9000-16R	S 9020-R	S 9020-16R
<b>Abutment screw</b>	S 67	S 60	S 60	S 61	S 61
<b>Laboratory screw</b>	S 67 L	S 60 L	S 60 L	S 61 L	S 61 L

## PreFace abutment

- CrCo alloy / CTE 14.1
- incl. abutment screw
- Recommended torque:  
15 Ncm: D 3,0  
20 Ncm: D 3,5/4,0  
25 Ncm: D 4,5/5,0



<b>Implant connection</b>	D 3,0	D 3,5/4,0	D 4,5/5,0
<b>Diameter</b>	11,5 mm	16,0 mm	16,0 mm
<b>Article No.</b>	S 9830-R	S 9800-16R	S 9820-16R
<b>Abutment screw</b>	S 67	S 60	S 61
<b>Laboratory screw</b>	S 67 L	S 60 L	S 61 L



## PreFace abutment

- Titanium Grade 5 CF
- incl. abutment screw
- Recommended torque: 25 Ncm



<b>Implant connection</b>	D 3,4	D 3,8	D 3,8	D 4,5	D 4,5
<b>Diameter</b>	11,5 mm	11,5 mm	16,0 mm	11,5 mm	16,0 mm
<b>Article No.</b>	T 9000-R	T 9005-R	T 9005-16R	T 9010-R	T 9010-16R
<b>Abutment screw</b>	T 60	T 60	T 60	T 60	T 60
<b>Laboratory screw</b>	T 60 L	T 60 L	T 60 L	T 60 L	T 60 L

## PreFace abutment

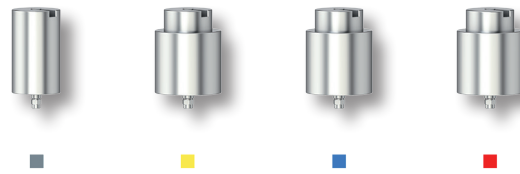
- Titanium Grade 5 CF
- incl. abutment screw
- Recommended torque: 25 Ncm



<b>Implant connection</b>	D 5,5
<b>Diameter</b>	16,0 mm
<b>Article No.</b>	T 9020-16R
<b>Abutment screw</b>	T 60
<b>Laboratory screw</b>	T 60 L

## PreFace abutment

- CrCo alloy / CTE 14.1
- incl. abutment screw
- Recommended torque: 25 Ncm



<b>Implant connection</b>	D 3,4	D 3,8	D 4,5	D 5,5
<b>Diameter</b>	11,5 mm	16,0 mm	16,0 mm	16,0 mm
<b>Article No.</b>	T 9800-R	T 9805-16R	T 9810-16R	T 9820-16R
<b>Abutment screw</b>	T 60	T 60	T 60	T 60
<b>Laboratory screw</b>	T 60 L	T 60 L	T 60 L	T 60 L

## PreFace abutment

- Titanium Grade 5 CF
- incl. abutment screw
- Recommended torque: 15 Ncm



Implant connection	/X 3,5-7,0
Diameter	11,5 mm
Article No.	Y 9000X-R
Abutment screw	
Laboratory screw	

## PreFace abutment holder Dental Concept Systems DC1, DC5

- without changer
- Stainless steel



Article No.

M 23

Please note: The PreFace abutment holders must be ordered directly from the machine manufacturer.

## PreFace abutment holder Dental Concept Systems DC5

- with changer
- Stainless steel



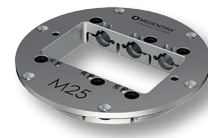
Article No.

M 24

Please note: The PreFace abutment holders must be ordered directly from the machine manufacturer.

## PreFace abutment holder imes-core 750i

- Stainless steel



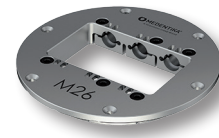
Article No.

M 25

Please note: The PreFace abutment holders must be ordered directly from the machine manufacturer.

## PreFace abutment holder imes-core 350i, 450i, 550i, 650i, 850i

- Stainless steel



Article No.

M 26

Please note: The PreFace abutment holders must be ordered directly from the machine manufacturer.

## PreFace abutment holder Wissner Gamma 202

- Stainless steel



Article No.

M 27

Please note: The PreFace abutment holders must be ordered directly from the machine manufacturer.

## PreFace abutment holder Datron D5

· Stainless steel



Article No.

M 28

Please note:

The PreFace abutment holders must be ordered directly from the machine manufacturer.

## PreFace abutment holder MB Machines Cobra Mill 5A1, 5M

· Stainless steel



Article No.

M 30

Please note:

The PreFace abutment holders must be ordered directly from the machine manufacturer.

## PreFace abutment holder imes-icore 140i

· Stainless steel



Article No.

M 31

Please note:

The PreFace abutment holders must be ordered directly from the machine manufacturer.

## PreFace abutment holder Datron D5

· Stainless steel



Article No.

M 52

Please note:

The PreFace abutment holders must be ordered directly from the machine manufacturer.

## PreFace abutment holder Primacon PFM 24 mediMill

· Stainless steel



Article No.

M 54

Please note:

The PreFace abutment holders must be ordered directly from the machine manufacturer.

## PreFace abutment holder Universal

· Stainless steel



Article No.

M 58

Please note:

The integration of the M 58 holder to the milling machine as well as the CAM Software is requesting the respective know-how. The responsibility of the integration bears the customer whereas the utilization of the services of the respective milling machine manufacturer is highly recommended.

## PreFace abutment holder VHF S2

· Stainless steel



Article No.

M 61

Please note:

The PreFace abutment holders must be ordered directly from the machine manufacturer.

## PreFace abutment holder VHF N4

· Stainless steel



Article No.

M 62

Please note:

The PreFace abutment holders must be ordered directly from the machine manufacturer.

## PreFace abutment holder Sirona inLab MC X5

· Stainless steel



Article No.

M 64

Please note:

The PreFace abutment holders must be ordered directly from the machine manufacturer.

## PreFace abutment holder Röders RXD

· Stainless steel



Article No.

M 65

Please note:

The PreFace abutment holders must be ordered directly from the machine manufacturer.

## PreFace abutment holder VHF Z4

· Stainless steel



Article No.

M 75

Please note:

The PreFace abutment holders must be ordered directly from the machine manufacturer.

## PreFace abutment holder VHF R5

· Stainless steel



Article No.

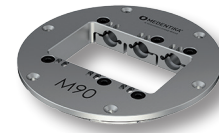
M 78

Please note:

The PreFace abutment holders must be ordered directly from the machine manufacturer.

## PreFace abutment holder

· Stainless steel



Article No.

M 90

Please note:

The PreFace abutment holders must be ordered directly from the machine manufacturer.

## PreFace abutment Specimen



Article No.

M 20

M 60

Version

Titanium Grade 5 CF

CrCo alloy / CTE 14.1

## Torque key PreFace abutment holder

· incl. Bit insert Hex 3.0

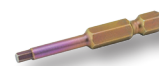


Article No.

M 21

## Insert Hex 3.0

· PreFace torque key



Article No.

M 29



**Publisher**

Medentika® GmbH

As at: September 2020

We are certified:

**DIN EN ISO 13485**

**Medical Devices Directive 93/42/EEC,  
Annex II**

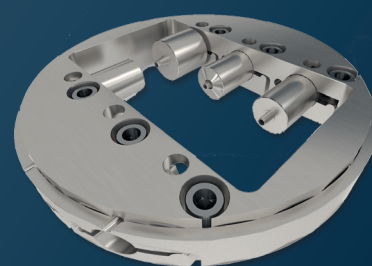
**CE0483**

The electronic Instructions for Use for our products are available on the website [www.medentika.com](http://www.medentika.com).

# We have a passion for precision, quality and durability

- One of the leading compatibles manufacturer
- Made in Germany
- Compatible with all major implant systems at an affordable price
- Committed to collaboration, teamwork and partnership
- Guaranteed up to lifetime

»» Passion for  
Precision ««



PM01\_01\_0012\_EN 09/20

**Medentika® GmbH**  
Hammweg 8–10  
76549 Hügelsheim  
info@medentika.de  
www.medentika.com

© Medentika® GmbH, 2020. All rights reserved.  
Medentika® and/or other trademarks and logos from Medentika® mentioned herein are the trademarks or registered trademarks of Medentika® and/or its affiliates.

 **MEDENTIKA®**  
A Straumann Group Brand